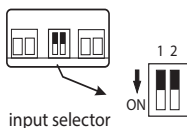
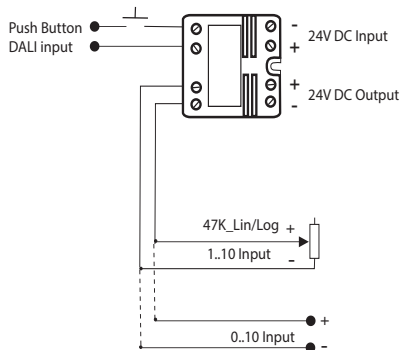


Part Number	Input V	Output I max	Output V max	W	Dimensions A x B x C	Protocol
A40DACUBE24N	24V/DC	11A	Vin-0,5V	264W	41 x 47 x 20	DALI/0-10V/1-10V/PUSH



1	2	Mode
OFF	OFF	DALI/Push 230V
OFF	ON	Push 24V
ON	OFF	0-10V
ON	ON	1-10V



Datasheet download

Interfaccia DALI/0-10V/1-10V e PUSH

- Comando DALI, pulsante, 0-10V, 1-10V o potenziometro 47K, selezionabile tramite impostazione dip-switches.
- Alimentazione: 24V/DC
- Ingresso PUSH/DALI isolato
- Protezione al corto-circuito
- Comanda carichi resistivi fino a 11A
- Uscita PWM 250Hz

DALI/0-10V/1-10V interface and push

- Dimming control by DALI, PUSH, 0-10V, 1-10V signal or potentiometer 47K, selecting the dipswitch combination on board.
- Input: 24V/DC
- Isolated PUSH/DALI input
- Short-circuit protection
- For resistive loads up to 11A
- PWM 250Hz output



