

ALUMINUM PROFILE – A41BARNEONH0

Aluminum profile



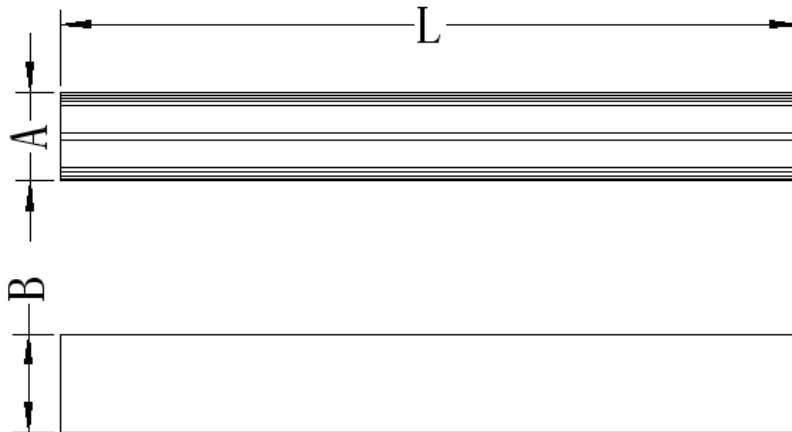
Application

- Applied for fixing waterproof LED strips
- Only for all 10mm wide Type NEON series

Features

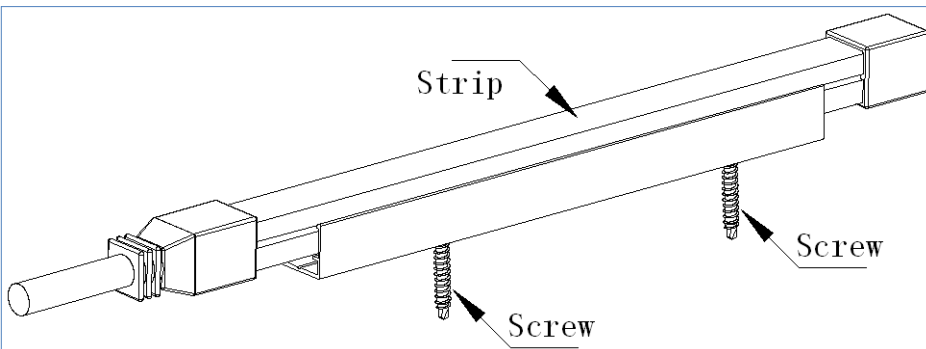
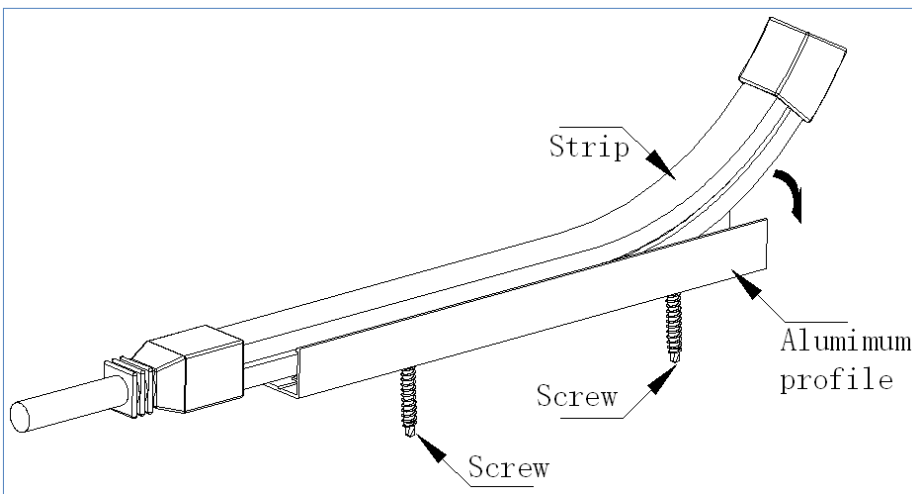
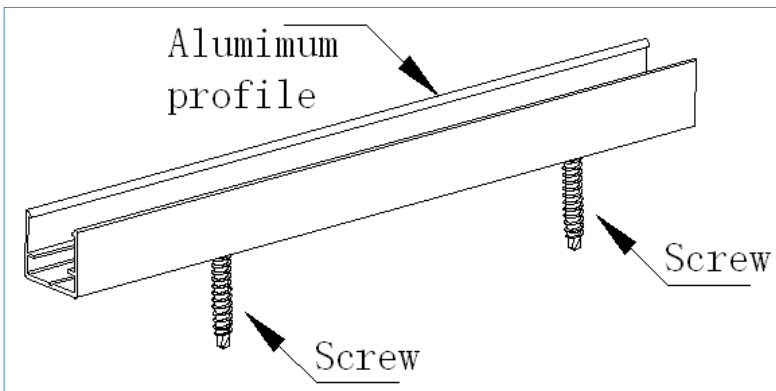
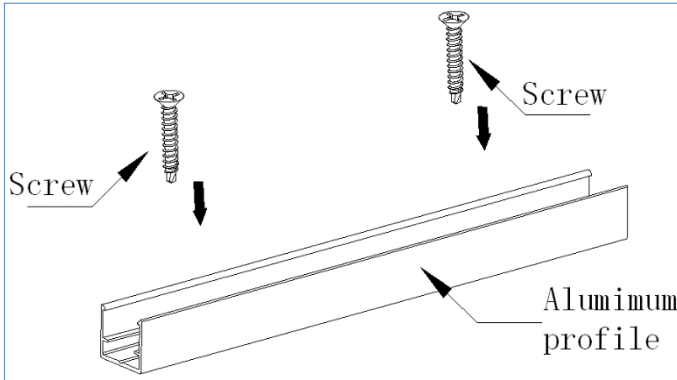
- Dimensions: 11,9 x 10,7mm
- Operating temperature: -20 °C ÷ 45 °C
- Storage temperature: 0 °C ÷ 60 °C
- Humidity: 40-70%
- Aluminum extruding technology

Dimension Drawing

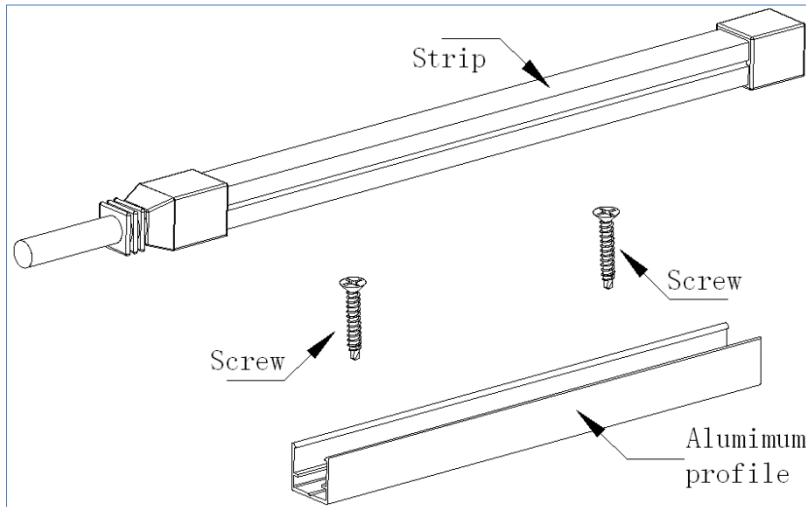


A41BARNEONH0		
A	B	L
11.9±0.3mm	10.7±0.3mm	1000±2mm

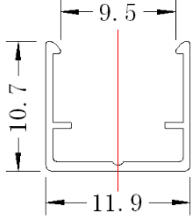
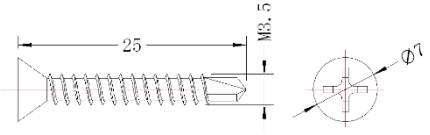
Installation drawing



Exploded drawing



Parts list

NO.	Part Name	Quantity	Material	Product Dimension
1	Aluminum Profile	1	aluminum(oxide surface)	
2	Self-tapping Screw	2	stainless steel	

Installation procedures

1. Install the clips into wall by self-tapping screws (or any other accessible surfaces);
2. Put the Aluminum profile into the clips;
3. Paste the LED strip into the Aluminum profile and press it smoothly.