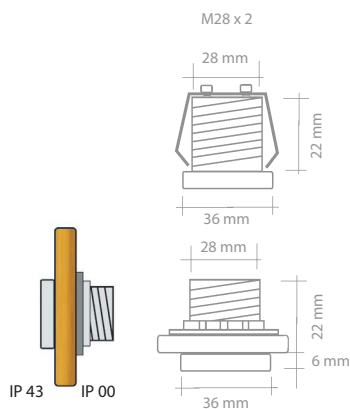


# MET 28 RGB+W Metal Spot

3,75 Watt

IP 43
CE
EMC
M
M
F
 $t_a -10^{\circ}\div +40^{\circ}\text{C}$ 

III



Part Number	Colour	Lumen	Beam	I (typ)	V (typ)	W (typ)	Ø
A40MET284W00	RGB+W	388	Wide 40°	4x350mA	3V	3,75W	36 mm
A40MET284M00	RGB+W	388	Medium 25°	4x350mA	3V	3,75W	36 mm

**ALIMENTATORE SUGGERITO:**

**RECOMMENDED DRIVER:**



Codice/Code: **A40RGBOX435B**  
 RGBW Led Driver 350mA  
 Page: 201

**Spot a LED di potenza RGB+W - 3 x 350mA**

- Led RGBW
- Si monta in un foro Ø 28mm. Fissaggio con ghiera o a pressione con molla.
- Fornito con cavi da 50 cm FEP
- Lente sigillata con guarnizione anti-vapore
- Luce Bianca 130 lm (rosso 80lm, verde 155lm, blu 130lm)

**High Brightness RGB+W LED spot - 3 x 350mA**

- RGBW Led
- Assembly into a Ø 28mm hole. Fixing by ring nut or by a pressure spring.
- Supplied with 0,5 m cables FEP
- The optic is sealed by a steamproof gasket
- White color 130 lm ( Red 80lm, green 155lm, Blue 231m)