

264/336
WattCV
PFPF
 $\lambda \geq 0,96$

IP 20

CE

EMC

M

M

F

110

SELV

 $t_a -10^{\circ} \div +45^{\circ}C$ 

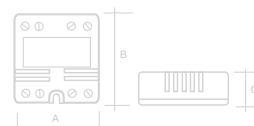
52 mm



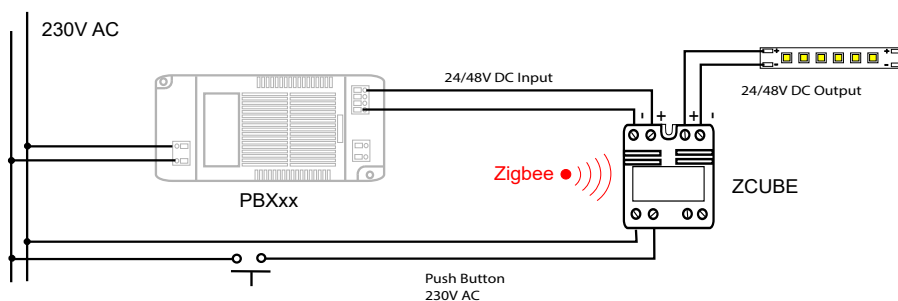
Voice Control



Dimmable



| Part Number | Input V | Output V | Output I max | Output V max | W | Dimensions A x B x C |
|--------------|---------|----------|--------------|--------------|------|----------------------|
| A40ZCUBE240N | 24V/DC | 24V/DC | 11A | Vin-0,5V | 264W | 41 x 47 x 20 |
| A40ZCUBE480N | 48V/DC | 48V/DC | 7A | Vin-0,5V | 336W | 41 x 47 x 20 |



Datasheet download



Instruction download

🇮🇹 Interfaccia LED Wireless Zigbee+BLE +Push

- Uscita in tensione costante PWM 250Hz
- Comando Zigbee 3.0 + Bluetooth Low Energy
- Disponibile APP Android, IOS
- Ingresso PUSH isolato
- Protezione al corto-circuito
- Comanda carichi resistivi fino a 11A

🇬🇧 Wireless Led Interface Zigbee+BLE + Push

- Output in steady voltage PWM 250Hz
- Zigbee 3.0 + Bluetooth Low Energy control
- APP IOS/ANDROID available
- Isolated Push input.
- Short circuit protection
- For resistive loads up to 11A

